

Applicant Information

Name: _____

Company (if applicable): _____

Mailing Address: _____

City: _____ Province: _____ Postal Code: _____

Fill out the preferred contact method.

Phone Number: Home: _____ Work: _____ Cell: _____

Fax: _____ Email: _____

Present Owner (if different from Applicant)

Name: _____

Company (if applicable): _____

Mailing Address: _____

City: _____ Province: _____ Postal Code: _____

Phone Number: Home: _____ Work: _____ Cell: _____

Fax: _____ Email: _____

Subject Property

Civic Address: _____

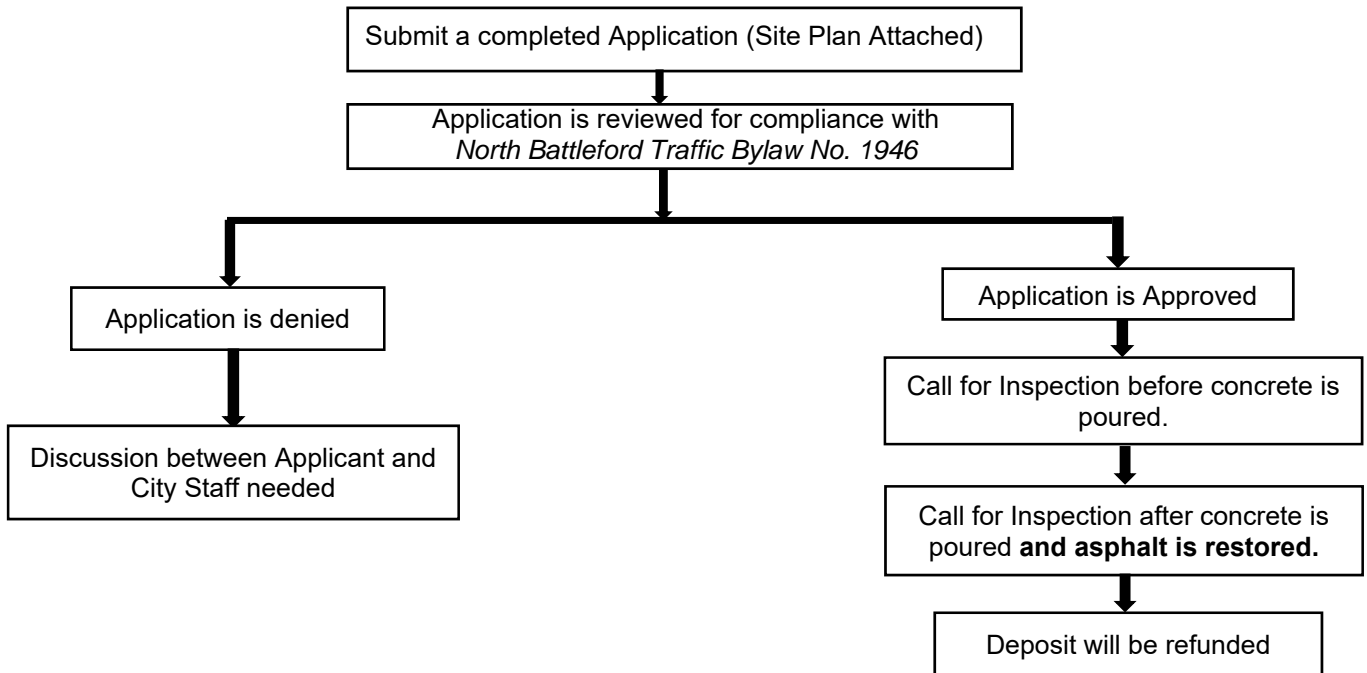
Legal Address: Lot: _____ Blk/Par: _____ Plan: _____

Site Plan

Attach a Site Plan (Legible hand sketch acceptable) which contains the following details:

- Civic and legal address.
- City Infrastructure (Curb Stop, Hydrants, Manholes, etc.)
- Labelled property lines.
- Existing building/structures on the subject property including dimensions to the curb crossing.
- Existing and proposed parking stall, driveway, sidewalk, curb and curb crossing with dimensions (if applicable).
- Location of all city trees on City property within two meters of the proposed curb crossing.
- Location and name of all streets, lanes and alleys bordering the subject property.
- North Arrow

Curb Crossing Permit Procedure



Terms and Conditions

I, the undersigned, being the owner(s), of the above location hereby acknowledge no development will commence without the approval of the City of North Battleford which will include attached requirement specifications and instructions issued by Permit clerk in respect of work incidental to the development in accordance of this application.

Note:
The City will only approve this application after the site plan has been reviewed and a site inspection is completed. All approved Curb Crossing Applications must be completed within the same calendar year. If the curb crossing is not completed the application will be cancelled and ONLY the deposit will be refunded. A new application must be submitted before any work commences.

Deposit: \$500.00
 (MS-DV 21-4-21320-05)

Application Fee (Non-refundable): \$250.00
 (21-1-26620-41)

Applicant

City Representative

 Applicant Full Name (Print)
 Application Guidelines have been reviewed

 City Representative Full Name (Print)
 Site Plan Reviewed/Site Inspection Completed
 Application Approved
 Application Not Approved

 Applicant Signature

 Date Signed

 City Representative Signature

 Date Signed

Inspections

Inspection before concrete is poured – After Forms Placed (Contact info: (306)-445-1700)

Date: _____

Residential Crossing:

- Minimum width of 3 meter, 5 meter including slopes.
- Maximum width of 6 meter, 8 meter including slopes.
- Minimum distance from block corner 8 meter.
- One crossing per lot. Corner lots may have one crossing from the street and one crossing from the avenue.
- If a lot has a double wide crossing on the avenue, it shall be allowed only a single crossing on the street or vice versa.
- Safety barricade in place.
- Clean concrete cuts and rebar Tie-In.

Commercial Crossing:

- Minimum width of 3 meter, 6 meter including slopes.
- Maximum width of 11 meter, 14 meter including slopes.
- Minimum distance from block corner 8 meter.
- Two crossings per property. Corner lots may have two crossings from the street and two from the avenue.
- Safety barricade in place.
- Clean concrete cuts and rebar Tie-In.

Remarks: _____

Planning and Development Department

Final Inspection – After concrete is poured (Contact info: (306)-445-1700)

Date: _____

- Concrete specifications met.
- Site clean-up.
- Landscaping restored (City property).
- Asphalt restored.**

Remarks: _____

Planning and Development Department

Guidelines

Construction Criteria:

- **An application form must be filled out and approved before any construction is commenced.**
- Construction area must be barricaded and clearly marked for pedestrian safety at all times. Barricades must be left in place until the curb crossing is fully complete.
- Curb crossings are not permitted over top of service laterals (water and sewer services).
- Curb crossings are not permitted within two meters of existing trees.
 - If any tree roots are to be cut outside of two meters of existing trees, the City must be contacted (same phone number as for inspection).
- If any trees on City property are requested to be removed, the City will forward the tree location to the City's Parks Foreman for assessment.
 - The City's Parks Foreman will determine whether the tree meets the City's criteria for removal and determine an appraised value.
 - Tree removal costs to the applicant include:
 - Appraised Value of the tree
 - Tree removal permit
 - Removal and disposal of the tree
 - Replanting a new tree
- The curb crossing must be completed within one week from the commencement of construction.
- Projects which are not completed within one week and/or do not meet the City's standards of construction, may be restored to the original condition by the City. The costs will then be allocated to the property.
- The City requires that the project be inspected and approved after the forming is completed (before concrete is poured) and after the project is completed.
 - These inspections can be arranged by calling the City's Central Reception at 306-445-1700 during office hours (8:00 – 4:30, Monday to Friday), and may require up to 24 hours notice.
- **All damaged asphalt must be properly repaired by the applicant.**
- **Deposit refund of \$500.00 will be returned after final inspection has passed.**

Concrete Specifications

- Concrete to be sulphate resistant and have a minimum compressive strength of 30 MPa.
- Maximum aggregate size = 20 millimeters.
- Maximum slump = 75 millimeters.
- The project shall be scheduled so that the concrete is poured and cured at temperatures between 12°C and 30°C.
- New concrete and existing concrete must be joined using 15m Dowels.
- Concrete must have contraction joints at 1.5m min.
- Existing concrete must have saw cuts where joined with new concrete.
- The surface shall be consolidated and smoothed using a wood float.
- Light steel trowelling shall be used followed by a uniform brush finish.
- Concrete must have a non-slip, broom finish.

Forms

- Forms shall be of steel or wood of sufficient strength to resist the pressure of wet concrete.
- The use of bent, twisted, battered or worn-out forms will not be permitted.
- Forms shall be held securely by approved methods to prevent movement and bulging when the concrete is placed.
- Forms will be checked for alignment and elevation by the City before concrete is poured.

Reinforcement

- Where required, reinforcement shall be secured in the location shown on the drawings or as directed by the City and shall be free from mill scale, grease and rust immediately prior to placing concrete.
- Reinforcement shall be drilled and dowelled into existing concrete.

Asphalt Restoration Specifications

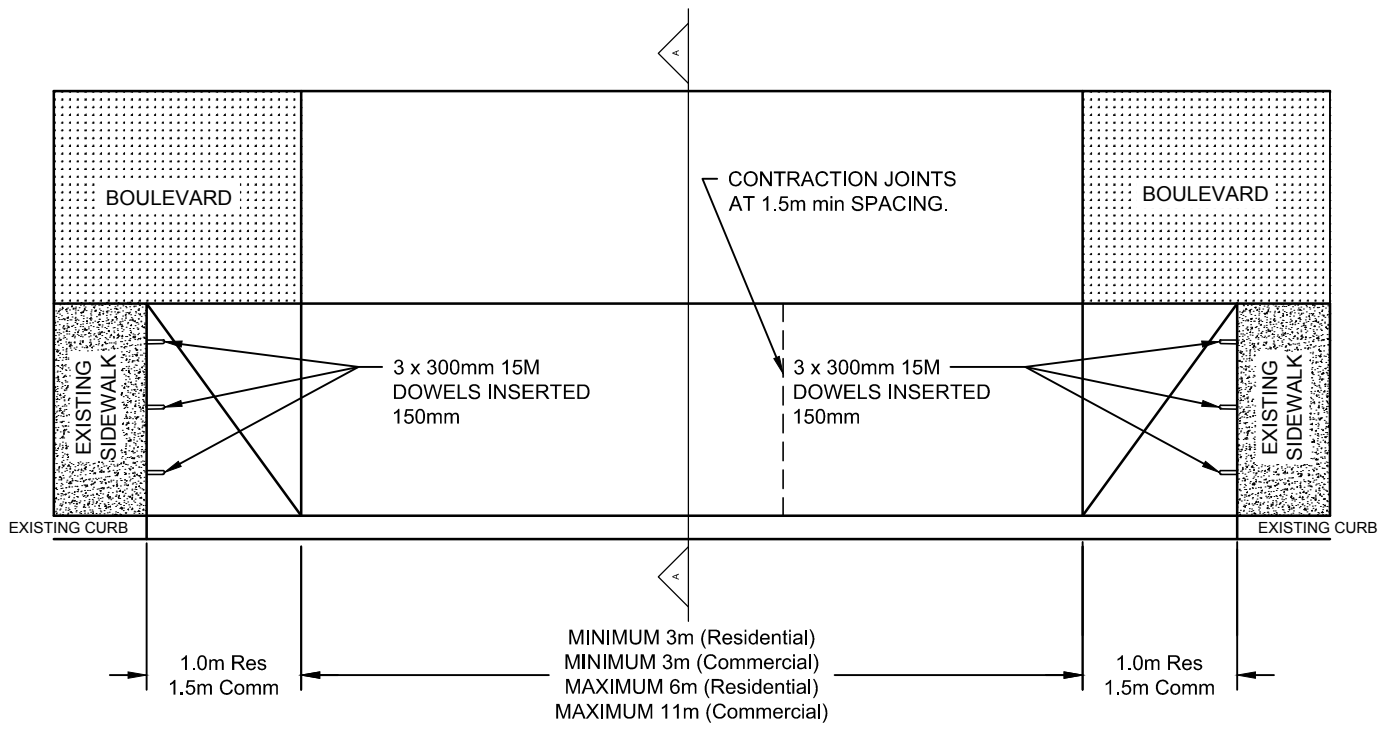
- Straight pavement cuts must be made to the existing damaged asphalt pavement before the asphalt repair begins.
- Only hot mix asphalt pavement can be used when repairing damaged existing asphalt pavement caused by the replacement/installation of the curb crossing.
- All loose and foreign material and water shall be removed prior to placing the new asphalt mixture. The asphalt mixture shall be delivered at a minimum temperature of 130°C or maximum temperature of 150°C and laid in dry conditions and only when the ambient air temperature is 2°C and rising.

Notice:

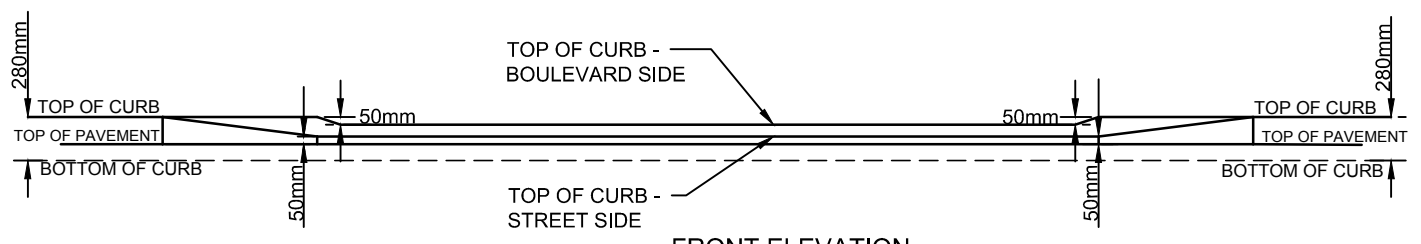
The existence, location and elevation of utilities and/or concealed structures at the project site are not guaranteed by The City of North Battleford.

The contractor/homeowner is responsible for determining the existence, location and elevation of all such utilities and/or structures and is responsible for notifying the appropriate company, department or person(s) of its intention to carry out its operations.

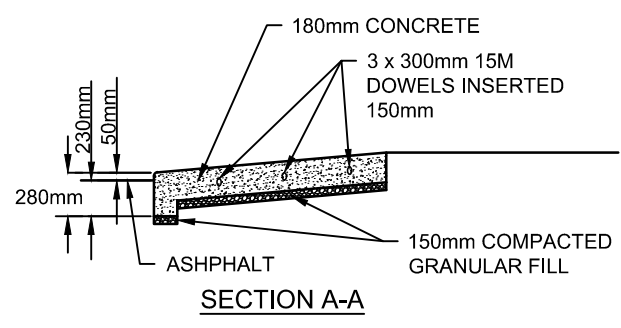
See Attached Curb Crossing Detail Drawing # 2-009 & 2-010



PLAN OF CROSSING



FRONT ELEVATION



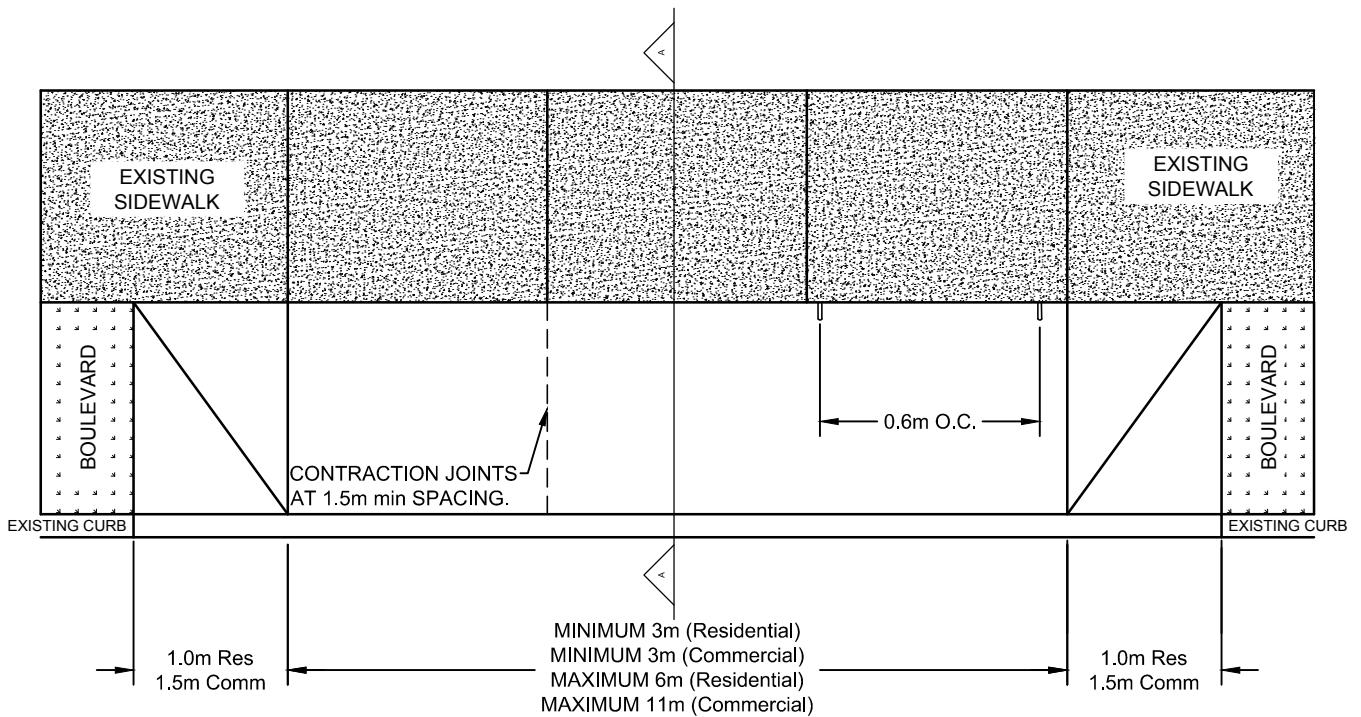
SECTION A-A

REV	DATE	DESCRIPTION	BY:
6			
5			
4			
3			
2			
1	2017-03-28	Adopted as Standard Detail Drawing	SS

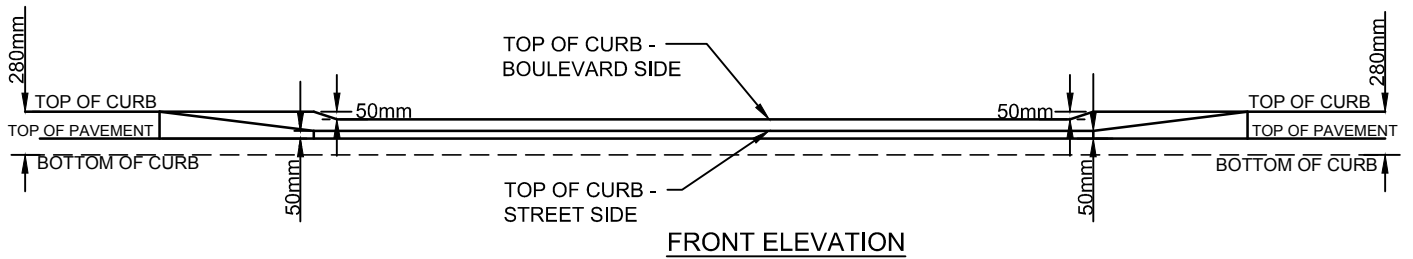
APPROVED BY:

**CURB CROSSING
 DETAIL COMBINED
 WALK & CURB**

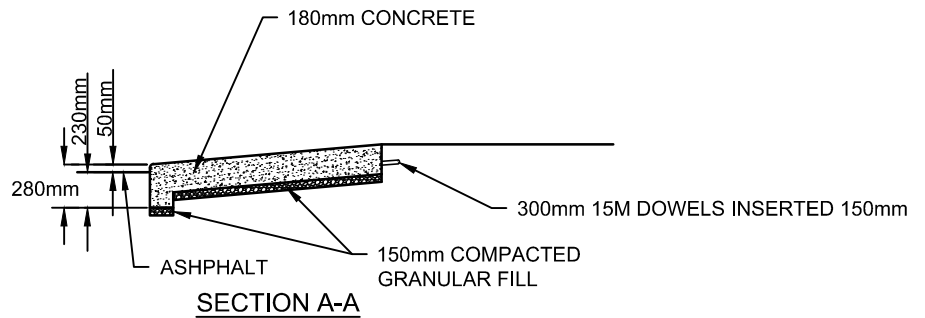




PLAN OF CROSSING



FRONT ELEVATION



SECTION A-A

REVISION

REV	DATE	DESCRIPTION	BY:
6			
5			
4			
3			
2			
1	2017-03-28	Adopted as Standard Detail Drawing	SS

APPROVED BY:

**CURB CROSSINGS -
CURB-BOULEVARD-
SIDEWALK**



**North
Battleford**

STANDARD
DETAIL
DRAWING

2-010